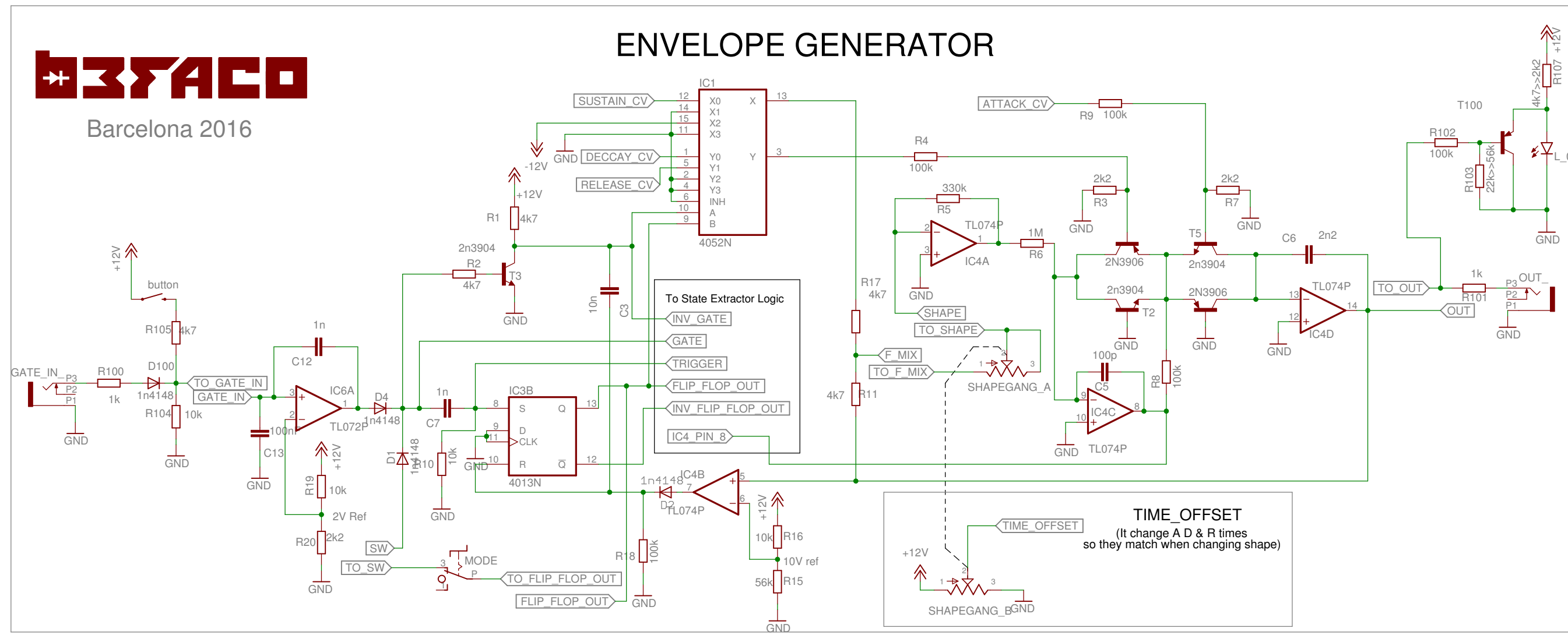




Barcelona 2016

ENVELOPE GENERATOR



Attack
Decay
Sustain
Release

IC3 CD4052

Control: Active IN: Out: Pin 9 Pin10 Pin 13 Pin 3

B	A	X&Y	X	Y
1	0	2	1	0
0	0	0	Sustain CV	Decay CV
0	0	0	Sustain CV	Decay CV
0	1	1	0	Release CV

IC7 CD4013

B Outs: Pin 13 Pin 12 Pin 8 Pin 9 Pin 10 Pin 11 Pin 1 Pin 2 Pin 6 Pin 5 Pin 4 Pin 3

A Outs: Pin 1 Pin 2 Pin 6 Pin 5 Pin 4 Pin 3

A Ins: Pin 5 Pin 4 Pin 3

Q	Q'	S	D	R	CLK	Q	Q'	S	D	R	CLK
1	0	Short Pulse at Start	0	0	0	1	0	0	0	0	0
0	1	0	0	Short Pulse at Start	0	0	1	Short Pulse at Start	0	0	0
0	1	0	0	Short Pulse at Start	0	0	1	Short Pulse at Start	0	0	0
0	1	0	0	0	0	0	1	0	0	0	0

Attack
Decay
Sustain
Release

IC8 CD4073

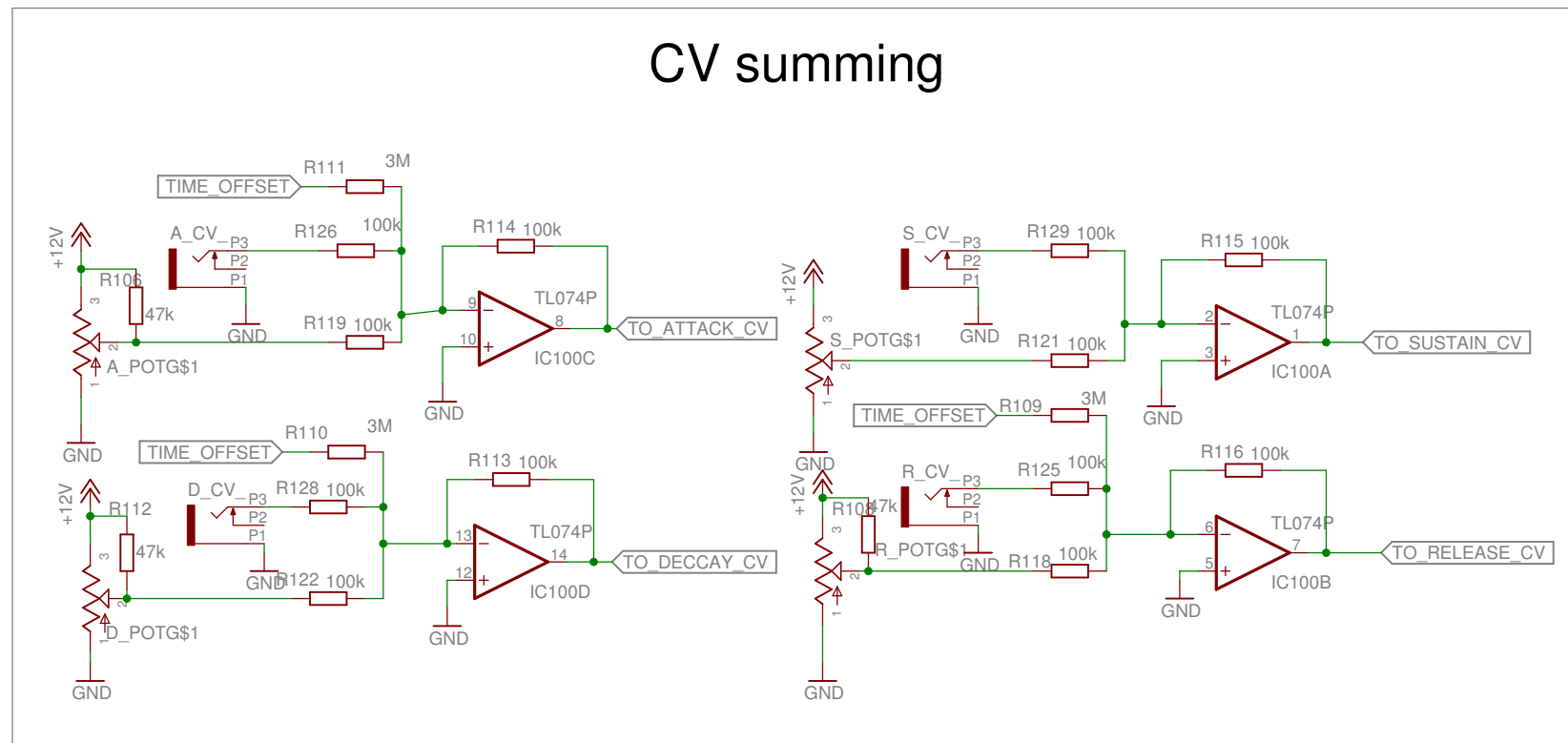
GATE A: Pin 1 Pin 2 Pin 8 Pin 9 Pin 3 Pin 4 Pin 5 Pin 6 Pin 11 Pin 12 Pin 13 Pin 10

GATE B: Pin 3 Pin 4 Pin 5 Pin 6 Pin 11 Pin 12 Pin 13 Pin 10

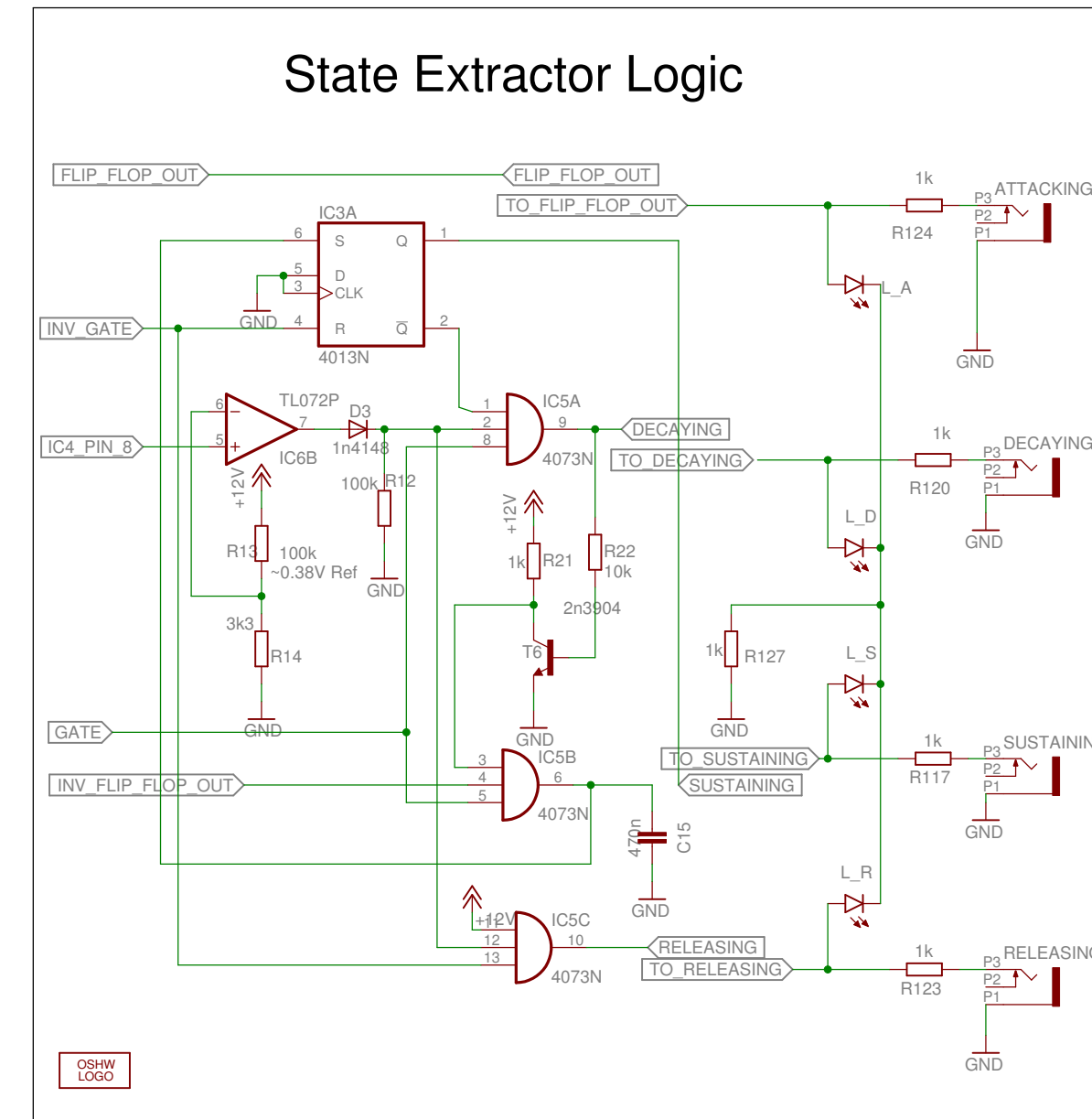
GATE C: Pin 11 Pin 12 Pin 13 Pin 10

IN	IN	IN	OUT	IN	IN	IN	OUT	IN	IN	IN	OUT
0	0	1	0	1	0	1	0	1	0	0	0
1	1	1	1	0	1	1	0	1	1	0	0
0	0	1	0	1	1	1	1	1	0	0	0
0	1	0	0	1	1	0	0	1	1	1	1

CV summing



State Extractor Logic



Power

